

# Microwave antenna

## AL4-23/MPR

# ALCOMA

### Microwave antenna description

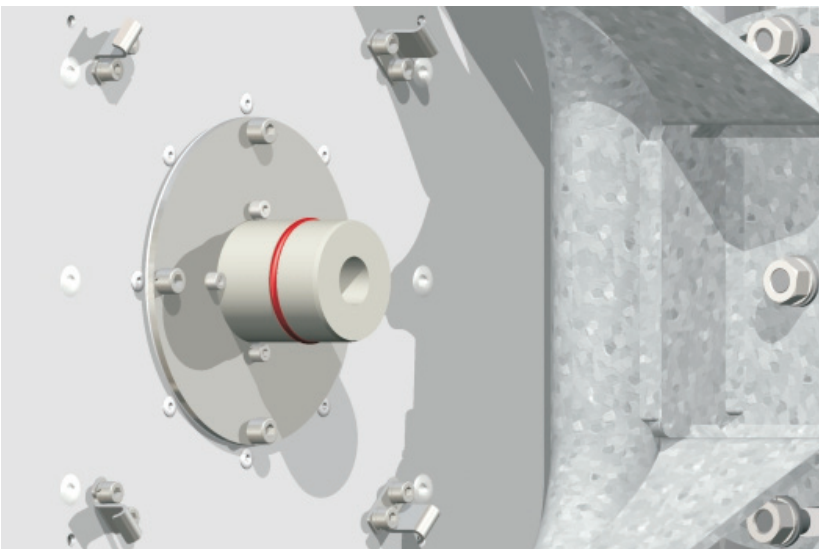
High Performance 1.20 m antenna for point to point links.

### General parameters

Diameter	1.2 m (4 ft.)
Feeder	single polarized
Input flange standard	circular, hole diameter 9.5 mm
- optional	IEC R220 (WR42)
Polarization	horizontal / vertical
Environmental temperature	-45 °C ÷ +55 °C
Color	gray
Radom material	plastic tilt
Radom color	white

### Electrical parameters

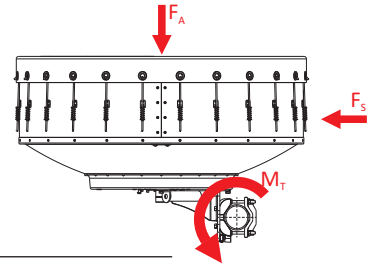
Frequency band	21.200 - 23.600 GHz
Gain mid band	46.3 dBi
3dB - BW	0.8° (H/ V)
Return loss	> 1.20 (20 dB)
F/B ratio	67 dB
XPD	32 dB
Class	2 or 3 (ETSI EN 302 217)



## Microwave antenna AL4-23/MPR

### Mechanical parameters due to wind

Performance stability	up to 30 m/s (110 km/h)
Survival	up to 55 m/s (200 km/h)
Net weight	34 kg
Pipe diameter	101 - 115 mm
Fine adjust Azimuth	$\pm 7^\circ$
Fine adjust Elevation	$\pm 15^\circ$



### Forces and twisting moment due wind and ice

Wind velocity	30 m/s (110 km/h)	55 m/s (200 km/h)
$F_a$ - axial force	870 N	2850 N
$F_s$ - side force	320 N	1030 N
$M_T$ - twisting moment	350 Nm	1150 Nm
Vertical load due to radial ice 25 mm (ice density 7kN/m <sup>3</sup> )		670 N

### Outlines

