

# Microwave antenna

## AL3-13/MP

# ALCOMA

### Microwave antenna description

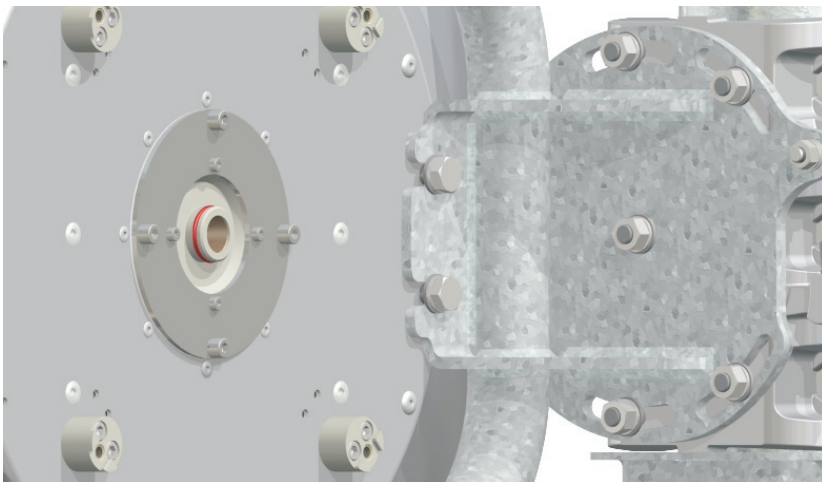
High Performance 0.90 m antenna for point to point links.

### General parameters

Diameter	0.9 m (3 ft.)
Feeder	single polarized
Input flange standard	circular, hole diameter 15.75 mm
- optional	IEC UBR 120
Polarization	horizontal / vertical
Environmental temperature	-45 °C ÷ +55 °C
Color	gray
Radom material	plastic tilt
Radom color	white

### Electrical parameters

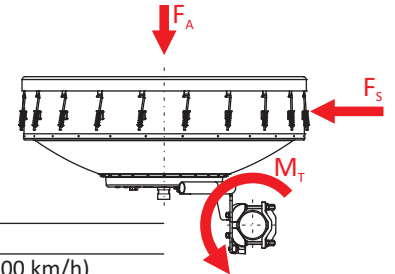
Frequency band	12.700 - 13.250 GHz
Gain mid band	38.9 dBi
3dB - BW	1.8° (H/ V)
Return loss	> 1.20 (20 dB)
F/B ratio	60 dB
XPD	32 dB
Class	2 or 3 (ETSI EN 302 217)



## Microwave antenna AL3-13/MP

### Mechanical parameters

Performance stability	up to 30 m/s (110 km/h)
Survival	up to 55 m/s (200 km/h)
Net weight	26 kg
Pipe diameter	73 - 115 mm
Fine adjust Azimuth	$\pm 7^\circ$
Fine adjust Elevation	$\pm 15^\circ$



### Forces and twisting moment due wind and ice

Wind velocity	30 m/s (110 km/h)	55 m/s (200 km/h)
$F_a$ - axial force	560 N	1850 N
$F_s$ - side force	180 N	570 N
$M_t$ - twisting moment	200 Nm	640 Nm
Vertical load due to radial ice 25 mm (ice density 7kN/m <sup>3</sup> )		430 N

### Outlines

