

Microwave antenna

AL3-11/MP

ALCOMA

Microwave antenna description

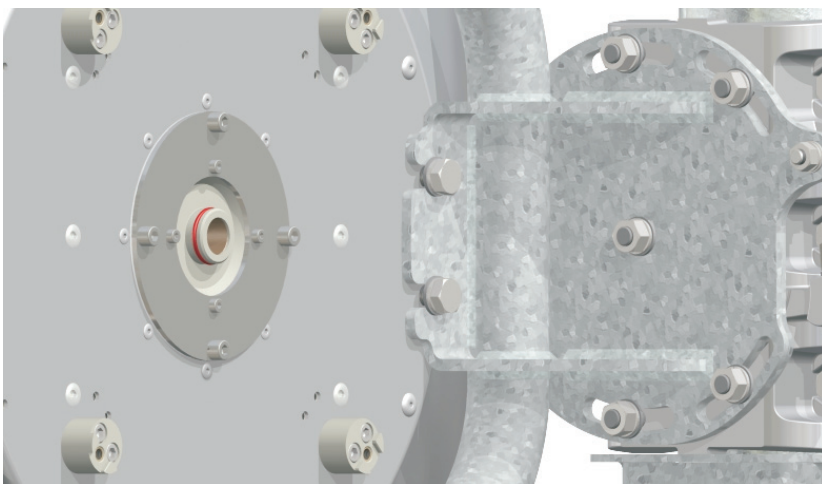
High Performance 0.90 m antenna for point to point links.

General parameters

| | |
|---------------------------|----------------------------------|
| Diameter | 0.9 m (3 ft.) |
| Feeder | single polarized |
| Input flange standard | circular, hole diameter 19.05 mm |
| - optional | IEC R100 (WR90) |
| Polarization | horizontal / vertical |
| Environmental temperature | -45 °C ÷ +55 °C |
| Color | gray |
| Radom material | plastic tilt |
| Radom color | white |

Electrical parameters

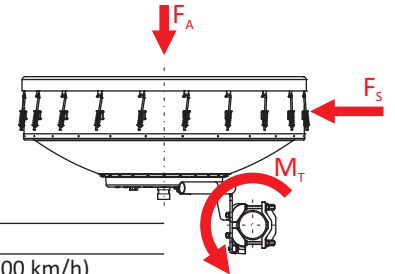
| | |
|----------------|--------------------------|
| Frequency band | 10.700 - 11.700 GHz |
| Gain mid band | 37.1 dBi |
| 3dB - BW | 2.2° (H/ V) |
| Return loss | > 1.2 (20 dB) |
| F/B ratio | 58 dB |
| XPD | 30 dB |
| Class | 2 or 3 (ETSI EN 302 217) |



Microwave antenna AL3-11/MP

Mechanical parameters

| | |
|-----------------------|-------------------------|
| Performance stability | up to 30 m/s (110 km/h) |
| Survival | up to 55 m/s (200 km/h) |
| Net weight | 26 kg |
| Pipe diameter | 73 - 115 mm |
| Fine adjust Azimuth | $\pm 7^\circ$ |
| Fine adjust Elevation | $\pm 15^\circ$ |



Forces and twisting moment due wind and ice

| Wind velocity | 30 m/s (110 km/h) | 55 m/s (200 km/h) |
|---|-------------------|-------------------|
| F_a - axial force | 560 N | 1850 N |
| F_s - side force | 180 N | 570 N |
| M_t - twisting moment | 200 Nm | 640 Nm |
| Vertical load due to radial ice 25 mm (ice density 7kN/m ³) | | 430 N |

Outlines

