

# Microwave antenna

## AL2-32/APR

# ALCOMA

### Microwave antenna description

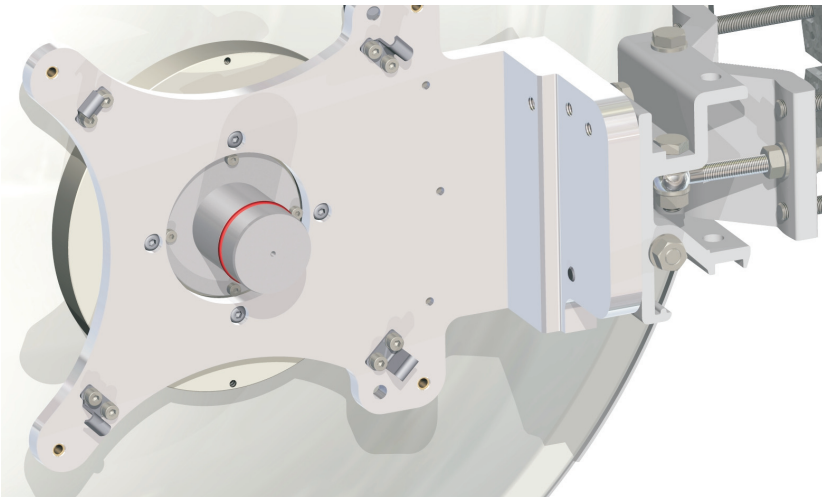
High Performance 0.65 m antenna for ALCOMA point to point radios.

### General parameters

Diameter	0.65 m (2 ft.)
Feeder	single polarized
Input flange standard - optional	circular, hole diameter 5.5 mm IEC UBR 320
Polarization	horizontal or vertical
Environmental temperature	-45 °C až +55 °C
Color	light gray
Radom color	white
Radom material	plastic (ABS)

### Electrical parameters

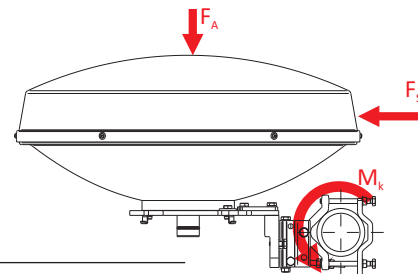
Frequency band	31.8 - 33.4 GHz
Gain mid band	44 dBi
3 dB - BW	1.0° (H/ V)
Return loss	< 1.20 (20 dB)
F/B ratio	63 dB
XPD	30 dB
Class	2 or 3 (ETSI EN 302 217-4-2)



## Microwave antenna AL2-32/APR

### Mechanical parameters

Wind speed	max 30 m/s (110 km/h)
Wind speed non destruct	max 55 m/s (200 km/h)
Net weight	11 kg
Pipe diameter	50 - 120 mm
Fine adjust Azimuth	$\pm 20^\circ$
Fine adjust Elevation	$\pm 20^\circ$



### Forces and twisting moment due to wind

Wind speed	30 m/s (110 km/h)	55 m/s (200 km/h)
$F_a$	290 N	960 N
$F_s$	85 N	410 N
$M_k$	70 Nm	230 Nm
Icing thickness 25 mm (led $7\text{kN/m}^3$ )		190 N

### Outlines

